

EX1N, 1S

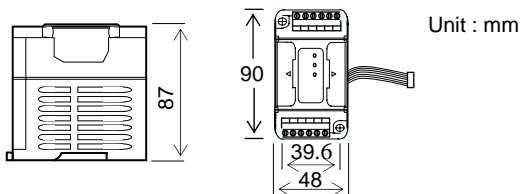
Ex1s2PT USER'S GUIDE (Platinum temperature sensor PT100)

◀ This manual contains text, diagrams and explanations which will guide the reader in the correct installation and operation of the Ex1s2PT special function block.

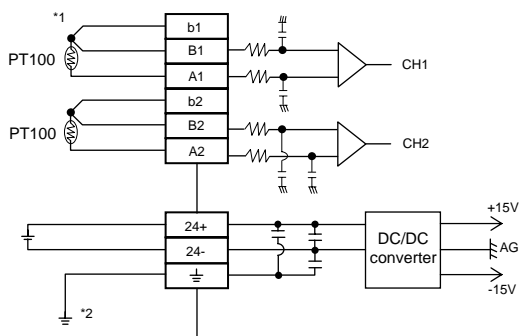
*** Introduction ***

- 1) The Ex1s2PT type analog input block (Hereafter referred to as the Ex1s2PT) converts 2 points PT100 of analog input values into digital values, and transfers them to the PLC main unit.

*** External Dimensions ***



*** Wiring ***



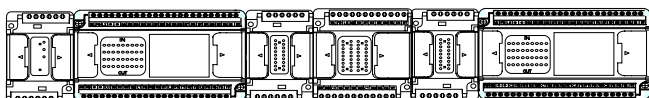
*1 The analog input line, should separate it from other power lines or a lines easily induced.

*2 Make sure to connect the terminal to the terminal of the PLC main unit.

*** Connection with PLC ***

- 1) The blocks not occupy any points. Only connect 1pc of module.
- 2) Applicable PLC : Ex1s, Ex1n, Ex2n series V2.22 or more.
- 3) Ex1s2PT are connected with the cable at the left of the main unit.

Ex1n32MR Ex1n2DA Ex1n16ER Ex1n2DA Ex1n32ER
X00-X17 X20-X27 X30-X47



Y00-Y17 Y20-Y37 Y40-Y47 Y50-Y67 Y70-Y107

*** Specifications ***

1. Environment specification

Item	Content
Directric Withstand voltage	500V AC 1min(Between analog input terminals and case)

Environmental specifications other than the above-mentioned are the same as the main unit of the Programmable controller. (Refer to the manual of the Programmable controller)

2. Power supply specification and isolation

Item	Content
Analog circuits	24V DC±10% 85mA (supplied from the External)
Digital circuits	5V DC 30mA (supplied from main unit)
Isolation	Photo-coupler isolation between analog and digital circuits.

3. Performance specifications

Item	Voltage input
Analog input	Platinum temperature PT100 sensor (100Ω)
Analog output	12bit binary, 11bit + 1 sign bit
Resolution	0.2 to 0.3°C or 0.36 to 0.54°F
A/D conversion time	1CH / 2 scan time

*** Program Example ***

```

M8002
|---| [MOV K0 D8120] : communication
|---| function prohibited
M8002
|---| [MOV K0 D8114] : CH1 offset value
|---| [MOV K395 D8116] : rise 1°C, resistance
|---| add 0.395Ω α=0.00395

M8002
|---| [MOV K0 D8115] : CH2 offset value
|---| [MOV K395 D8117] : CH2 3950PPM/°C
|---| i.e. α=0.00395

X6
|---| (M8116) : 2PT CH1 enable flag

M8001
|---| (M8110) : CH1 degree Centigrade °C display

X7
|---| (M8117) : 2PT CH2 enable flag

M8000
|---| (M8111) : CH2 degree Fahrenheit °F display
    
```

Measurement result stored into D8112(CH1) and D8113(CH2)

◆PT100 3950(PPM) : Per °C resistance increase amount is 3950-one millionth,

$$\Delta R = \frac{3950}{10^6} \times 100 = 0.395\Omega$$

i.e. PT100 rise 1°C, resistance add 0.395Ω. If use different items of resistance, only change this value.

Ex1s2PT-edoc0406v100b

LIYAN ELECTRIC INDUSTRIAL LTD.

TEL: 886-4-25613700 FAX: 886-4-25613408

WEBSITE: <http://www.liyanplc.com>

E-MAIL: twliyan@ms16.hinet.net