

EX1N, 1S

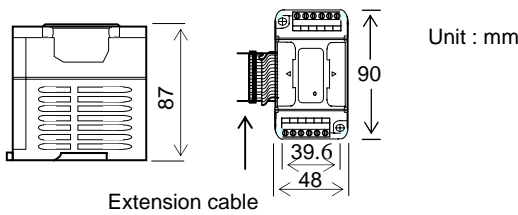
Ex1nLTOC USER'S GUIDE (Line driver TO open Collector)

☛ This manual contains text, diagrams and explanations which will guide the reader in the correct installation and operation of the Ex1nLTOC special function block.

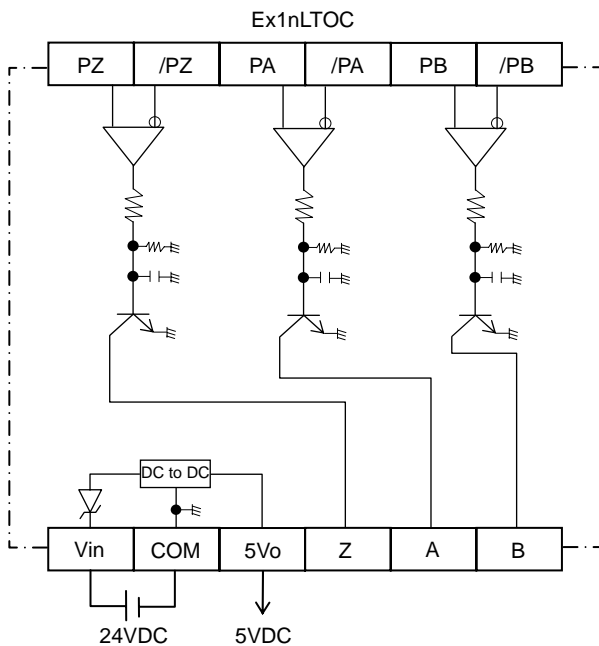
*** Introduction ***

1) The Ex1nLTOC(Line driver To Open Collector) signal conversion module. Maximum conversion frequency is 400Kpps.

*** External Dimensions ***

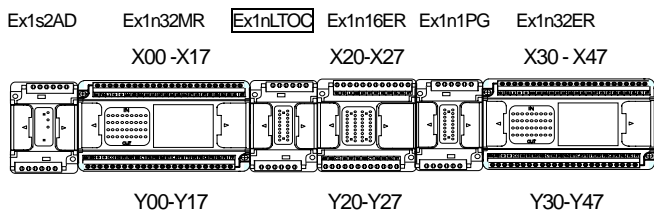


*** Wiring ***



*** Connection with PLC ***

- 1) The blocks not occupy any points.
- 2) Applicable PLC : Ex1n, Ex2n series.
- 3) Ex1nLTOC are connected with the cable at the right of the main unit.



*** Specifications ***

1. Power supply specification and isolation

Item	Content
Power input	24V DC±10% 85mA (supplied from the External)
Power output	+5V DC
Isolation	None

Ex1nLTOC-edoc0406v100d

LIYAN ELECTRIC INDUSTRIAL LTD.

TEL: 886-4-25613700 FAX: 886-4-25613408

WEBSITE: <http://www.liyanplc.com>

E-MAIL: twliyan@ms16.hinet.net