

EX1N, 1S

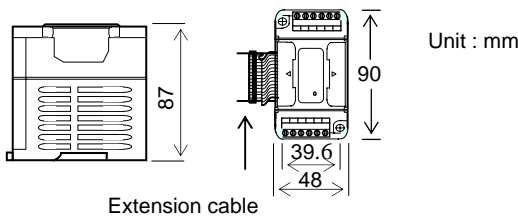
Ex1nCTOL USER'S GUIDE (open Collector TO Line driver)

☛ This manual contains text, diagrams and explanations which will guide the reader in the correct installation and operation of the Ex1nCTOL special function block.

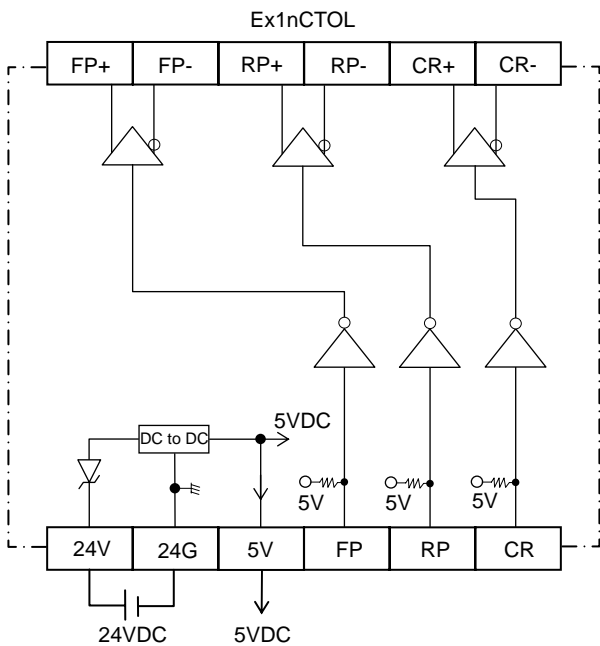
*** Introduction ***

1) The Ex1nCTOL(open Collector TO Line driver) signal conversion module. Maximum conversion frequency is 400Kpps.

*** External Dimensions ***



*** Wiring ***



*** Connection with PLC ***

- 1) The blocks not occupy any points.
- 2) Applicable PLC : Ex1n, Ex2n series.
- 3) Ex1nCTOL are connected with the cable at the right of the main unit.

1. Power supply specification and isolation

| Item | Content |
|--------------|--|
| Power input | 24V DC±10% 85mA (supplied from the External) |
| Power output | +5V DC |
| Isolation | None |

Ex1nCTOL-edoc0503v100a

LIYAN ELECTRIC INDUSTRIAL LTD.

TEL: 886-4-25613700 FAX: 886-4-25613408

WEBSITE: <http://www.liyanplc.com>

E-MAIL: twliyan@ms16.hinet.net

